



Soler&Palau Sistemas de Ventilación SLU certifies that this series is licensed to bear the AMCA Seal for Air Performance. The revision version is EasyVent v11, May 2020. Certification may be checked at <https://www.amca.org/certify>.



Short casing
(C version)

Cylindrical cased axial flow fans, for general ventilation.

Casings formed from rolled sheet steel with a corrosion resistant hot dip galvanised finish to EN 1461. Corrosion category C4.

Variable pitch angle impeller, dynamically balanced to ISO 14694: G6.3, made from high grade aluminum. Hubs made from aluminium or pressed sheet steel, depending on diameter and mechanical requirements.

Standard air operation temperature range: -20°C to +40°C.

Short casing versions:

- (C) Standard
- (CK) Includes an external terminal box for ease of connection.

Long casing versions:

- (LK) Includes an external terminal box for ease of connection, and a spy hole to check impeller rotation.
- (LP) Includes an inspection door for easy access to motor.
- (LPK) Includes both external terminal box and inspection door.

Check EasyVent to select the most suitable configurations for the installation, and obtain the corresponding datasheets.

Motors

Single speed in 2 and 4 poles.

IE3 efficiency category from 0,75kW onwards, IE2 minimum for lower kW motors.

IE4 efficiency category for motor powers from 75kW to 200kW.

Not applicable to 8 pole or two speed motors.

All motors are IP55, Class F insulation.

Electrical supplies:

Three phase 220-240/380-415-50/60Hz up to 3kW.

Three phase 380-415V-50Hz, for higher power motors and two speed motors.

Suitable for inverter control.

60Hz versions available in EasyVent.

Other data

Standard air direction Impeller-Motor (Form B).

Suitable for horizontal (B, A) or vertical (BD, AU) mounting installation.

Diameters 1250 with motor size IEC250 and above, 1400 and 1600 with long casing version come with pre-mounted support feet for horizontal installation.

On request

Single speed motors in 6 poles.

Two speed motors in 2/4, 4/6, 4/8 and 6/12 poles.

Air direction Motor-Impeller (Form A).

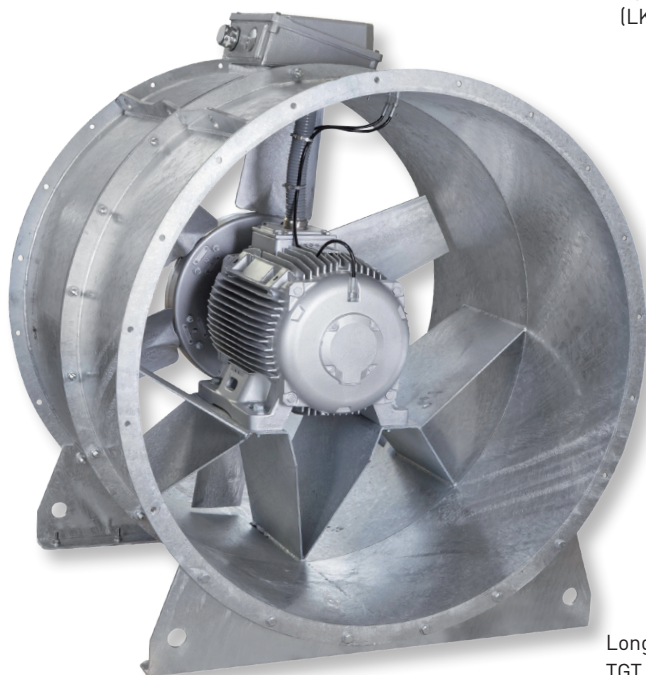
Reversible airflow version (AB).

Casing in stainless steel or paint finish.

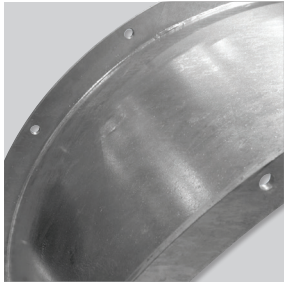
Motors provided with PTC thermistor or space heaters.



Long casing
(LK version)

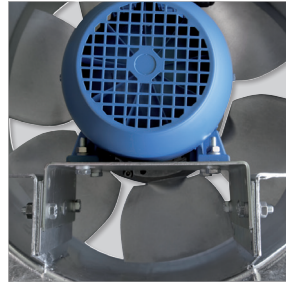


Long casing
TGT 1250 - IEC250, 1400 & 1600
(LK version)



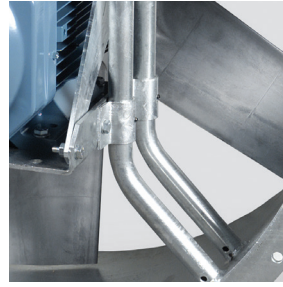
Corrosion resistance

Casings formed from rolled sheet steel with a corrosion resistant hot dip galvanised finish.



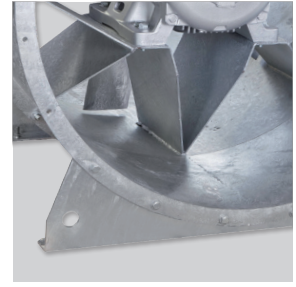
Support motor

Manufactured from sheet steel with a corrosion resistant hot dip galvanised or Magnelis® finish. (Models from 400 to 800).



Aerodynamic motor support

Aerodynamic design of the motor support to optimise airflow performance. (Models from 900 to 1250).



Motor support (1400 and 1600 mm diameter):

Welded on the fan casing. The whole assembly with a corrosion resistant hot dip galvanised finish.



Impeller dynamically balanced

according to ISO 14694: G6.3, providing vibration free operation.



Wide blade design: higher pressure

Blade design to ensure the highest efficient airflow performances. Configuration 1: 400 to 800/6 models. Configuration 2: 800/9 to 1600 models.



Terminal box

External terminal box, situated out of the airflow.

REFERENCE

| | | | | | | | | | | | | | | | | | |
|---|---|---|---|---|---|---|---|---|---|---|---|---|----|---|---|---|------|
| T | G | T | / | 4 | - | 1 | 0 | 0 | 0 | - | 6 | / | 26 | B | C | K | 15kW |
| 1 | | | | 2 | | | | | | | 4 | | | 5 | 6 | 7 | 8 |

- 1 - Product range.
- 2 - Number of poles.
- 3 - Diameter*.
- 4 - Number of blades.
- 5 - Blade pitch angle.
- 6 - Airflow direction:
B (Impeller - Motor Standard)
A (Motor - Impeller)
BD (B-Down)
AU (A-Up)
AB (Reversible)
- 7 - Casing configuration:
C: Short casing. Standard.
CK: Short casing with external terminal box for ease of connection.
LK: Long casing with external terminal box for ease of connection, and a spy hole to check impeller rotation.
LP: Long casing with inspection door for easy access to motor.
LPK: Long casing with both external terminal box and inspection door.
- 8 - Motor power.

* For the 1400 and 1600 mm diameter fans the last "0" is replaced by a number and a letter indicating the hub diameter and blade type (e.g. 1409G)



Short casing

Range of cylindrical cased axial flow ATEX fans, from 400 to 1250 mm diameters. Casings formed from rolled sheet steel with a corrosion resistant hot dipped galvanised finish.

All models incorporate separate high grade diecast aluminium blades locked within a pressed sheet steel hub. Suitable for horizontal or vertical airflow installation.

All models are available in both short and long (LP) casing versions.

Long casing versions include a large inspection door.

Motors

Available, depending upon the model:
 - with three phase motors in 2, 4 or 6 poles.

All the motors are IP55, Class F insulation
 Electrical supplies:

Three phase 230/400V-50Hz up to 3kW.

Three phase 400V-50Hz, for higher power motors and two speed motors. (See characteristics chart).

ATEX TGT

ATEX versions available for 3 phase models. For ambient working temperatures from -20°C to +40°C.

- ATEX Flameproof - Gas

In standard ATEX version flameproof motors are without thermal protection.

If used with frequency inverter, flameproof motors with a PTC-type thermal protection must be specified at order.

⊕ II 2G Ex d IIB T4

⊕ II 2G Ex d IIB+H2 T4 (with motor Ex d IIC T4)

- ATEX Increased safety - Gas

⊕ II 2G Ex e II T3

- ATEX - Dust

In standard ATEX version, ATEX motors for dust are without thermal protection.

If used with frequency inverter, ATEX motors for dust with a PTC-type thermal protection must be specified at order.

Combustable flyings and non conductive dust:

⊕ II 3D Ex tc IIIB T125°C

Conductive dust:

⊕ II 3D Ex tc IIIC T125°C (with motor IP65)

* TGT ATEX Flameproof models 400 and 450mm diameter only available long case LP version.

** TGT ATEX Flameproof models 500 to 1250mm diameter available short case and long case version LP (not available version K, LK or LPK).

To select TGT ATEX refer to performance curves for THGT, or Easyvent.

Note electrical data may vary for ATEX motors.

Additional information

Standard air direction: Form B configuration (impeller over motor).

On request

Air direction: Form A configuration (motor over impeller).



ATEX Long casing version "LP"

Large inspection door fitted on Long cased models for ATEX versions, that enables access to the motor terminal box for electrical connection.



Ex motor versions

Ex versions in accordance to ATEX Directive.

Specific applications



Refer to Easyvent for selection.

Before installation check that the product electrical characteristics listed on the data plate label (voltage, power, frequency, etc.) match those of the intended electrical supply.

We reserve the right to use different motor suppliers, therefore the following data may differ.

TECHNICAL CHARACTERISTICS - 2 poles

| Model | Diameter (mm) | Motor power | Full load current at 400V (A) | Weight (kg) | |
|------------------|---------------|-------------|-------------------------------|--------------|-------------|
| | | | | Short casing | Long casing |
| TGT/2-400-6/-1,1 | 400 | 1,1 | 2,32 | 39 | 45 |
| TGT/2-400-6/-1,5 | 400 | 1,5 | 3,07 | 42 | 48 |
| TGT/2-400-6/-2,2 | 400 | 2,2 | 4,43 | 46 | 52 |
| TGT/2-450-6/-1,5 | 450 | 1,5 | 3,07 | 49 | 58 |
| TGT/2-450-6/-2,2 | 450 | 2,2 | 4,43 | 54 | 62 |
| TGT/2-450-6/-3 | 450 | 3 | 5,77 | 61 | 70 |
| TGT/2-500-6/-2,2 | 500 | 2,2 | 4,43 | 54 | 63 |
| TGT/2-500-6/-3 | 500 | 3 | 5,77 | 62 | 71 |
| TGT/2-500-6/-4 | 500 | 4 | 7,5 | 70 | 79 |

| Model | Diameter (mm) | Motor power | Full load current at 400V (A) | Weight (kg) | |
|---------------------|---------------|-------------|-------------------------------|--------------|-------------|
| | | | | Short casing | Long casing |
| TGT/2-560-6/-3 | 560 | 3 | 5,77 | 69 | 86 |
| TGT/2-560-6/-4 | 560 | 4 | 7,5 | 77 | 94 |
| TGT/2-560-6/-5,5 | 560 | 5,5 | 10,1 | 100 | 117 |
| TGT/2-560-6/-7,5 | 560 | 7,5 | 13,9 | 104 | 121 |
| TGT/2-560-6/-9,2 | 560 | 9,2 | 16,9 | 125 | 142 |
| TGT/2-630-6/-5,5 | 630 | 5,5 | 10,1 | 107 | 122 |
| TGT/2-630-6/-7,5 | 630 | 7,5 | 13,9 | 111 | 126 |
| TGT/2-630-6/-9,2 | 630 | 9,2 | 16,9 | 132 | 147 |
| TGT/2-630-6/-11 L | 630 | 11 | 20,9 | | 183 |
| TGT/2-630-6/-15 L | 630 | 15 | 25,4 | | 186 |
| TGT/2-630-6/-18,5 L | 630 | 18,5 | 33,3 | | 199 |

TECHNICAL CHARACTERISTICS - 4 poles

| Model | Diameter (mm) | Motor power | Full load current at 400V (A) | Weight (kg) | |
|-------------------|---------------|-------------|-------------------------------|--------------|-------------|
| | | | | Short casing | Long casing |
| TGT/4-400-6/-0,25 | 400 | 0,25 | 0,74 | 32 | 38 |
| TGT/4-450-6/-0,25 | 450 | 0,25 | 0,74 | 39 | 48 |
| TGT/4-450-6/-0,37 | 450 | 0,37 | 1,13 | 41 | 49 |
| TGT/4-450-6/-0,55 | 450 | 0,55 | 1,38 | 44 | 52 |
| TGT/4-500-6/-0,55 | 500 | 0,55 | 1,38 | 44 | 53 |
| TGT/4-500-6/-0,75 | 500 | 0,75 | 1,62 | 46 | 55 |
| TGT/4-500-6/-1,1 | 500 | 1,1 | 2,3 | 51 | 60 |
| TGT/4-560-6/-0,55 | 560 | 0,55 | 1,38 | 51 | 68 |
| TGT/4-560-6/-0,75 | 560 | 0,75 | 1,62 | 53 | 70 |
| TGT/4-560-6/-1,1 | 560 | 1,1 | 2,3 | 58 | 75 |
| TGT/4-560-6/-1,5 | 560 | 1,5 | 3,15 | 61 | 78 |
| TGT/4-560-6/-2,2 | 560 | 2,2 | 4,56 | 68 | 85 |
| TGT/4-630-6/-0,75 | 630 | 0,75 | 1,62 | 60 | 75 |
| TGT/4-630-6/-1,1 | 630 | 1,1 | 2,3 | 65 | 80 |
| TGT/4-630-6/-1,5 | 630 | 1,5 | 3,15 | 68 | 83 |
| TGT/4-630-6/-2,2 | 630 | 2,2 | 4,56 | 75 | 90 |
| TGT/4-630-6/-3 | 630 | 3 | 6,15 | 81 | 96 |
| TGT/4-710-3/-0,75 | 710 | 0,75 | 1,62 | 55 | 79 |
| TGT/4-710-3/-1,1 | 710 | 1,1 | 2,3 | 60 | 84 |
| TGT/4-710-3/-1,5 | 710 | 1,5 | 3,15 | 63 | 87 |
| TGT/4-710-3/-2,2 | 710 | 2,2 | 4,56 | 70 | 94 |
| TGT/4-710-3/-3 | 710 | 3 | 6,15 | 76 | 100 |

| Model | Diameter (mm) | Motor power | Full load current at 400V (A) | Weight (kg) | |
|------------------|---------------|-------------|-------------------------------|--------------|-------------|
| | | | | Short casing | Long casing |
| TGT/4-710-6/-1,1 | 710 | 1,1 | 2,3 | 64 | 87 |
| TGT/4-710-6/-1,5 | 710 | 1,5 | 3,15 | 67 | 90 |
| TGT/4-710-6/-2,2 | 710 | 2,2 | 4,56 | 74 | 97 |
| TGT/4-710-6/-3 | 710 | 3 | 6,15 | 80 | 103 |
| TGT/4-710-6/-4 | 710 | 4 | 8,2 | 81 | 104 |
| TGT/4-800-3/-1,1 | 800 | 1,1 | 2,3 | 77 | 94 |
| TGT/4-800-3/-1,5 | 800 | 1,5 | 3,15 | 80 | 97 |
| TGT/4-800-3/-2,2 | 800 | 2,2 | 4,56 | 87 | 104 |
| TGT/4-800-3/-3 | 800 | 3 | 6,15 | 93 | 110 |
| TGT/4-800-3/-4 | 800 | 4 | 8,2 | 94 | 111 |
| TGT/4-800-3/-5,5 | 800 | 5,5 | 10,3 | 123 | 140 |
| TGT/4-800-6/-1,5 | 800 | 1,5 | 3,15 | 83 | 100 |
| TGT/4-800-6/-2,2 | 800 | 2,2 | 4,56 | 90 | 107 |
| TGT/4-800-6/-3 | 800 | 3 | 6,15 | 96 | 113 |
| TGT/4-800-6/-4 | 800 | 4 | 8,2 | 97 | 114 |
| TGT/4-800-6/-5,5 | 800 | 5,5 | 10,3 | 126 | 143 |
| TGT/4-800-6/-7,5 | 800 | 7,5 | 13,9 | 133 | 150 |
| TGT/4-800-9/-4 | 800 | 4 | 8,2 | 101 | 118 |
| TGT/4-800-9/-5,5 | 800 | 5,5 | 10,3 | 130 | 147 |
| TGT/4-800-9/-7,5 | 800 | 7,5 | 13,9 | 137 | 154 |

TECHNICAL CHARACTERISTICS - 4 poles (CONTINUATION)

| Model | Diameter (mm) | Motor power | Full load current at 400V (A) | Weight (kg) | |
|--------------------|---------------|-------------|-------------------------------|--------------|-------------|
| | | | | Short casing | Long casing |
| TGT/4-900-3/-2,2 | 900 | 2,2 | 4,56 | 102 | 120 |
| TGT/4-900-3/-3 | 900 | 3 | 6,15 | 108 | 126 |
| TGT/4-900-3/-4 | 900 | 4 | 8,2 | 109 | 127 |
| TGT/4-900-3/-5,5 | 900 | 5,5 | 10,3 | 138 | 156 |
| TGT/4-900-3/-7,5 | 900 | 7,5 | 13,9 | 145 | 163 |
| TGT/4-900-6/-4 | 900 | 4 | 8,2 | 113 | 132 |
| TGT/4-900-6/-5,5 | 900 | 5,5 | 10,3 | 142 | 161 |
| TGT/4-900-6/-7,5 | 900 | 7,5 | 13,9 | 149 | 168 |
| TGT/4-900-6/-11 | 900 | 11 | 20,7 | 202 | 221 |
| TGT/4-900-6/-15 | 900 | 15 | 28,4 | 224 | 243 |
| TGT/4-900-9/-5,5 | 900 | 5,5 | 10,3 | 146 | 165 |
| TGT/4-900-9/-7,5 | 900 | 7,5 | 13,9 | 153 | 172 |
| TGT/4-900-9/-11 | 900 | 11 | 20,7 | 206 | 225 |
| TGT/4-900-9/-15 | 900 | 15 | 28,4 | 228 | 247 |
| TGT/4-1000-3/-3 | 1000 | 3 | 6,15 | 115 | 136 |
| TGT/4-1000-3/-4 | 1000 | 4 | 8,2 | 116 | 137 |
| TGT/4-1000-3/-5,5 | 1000 | 5,5 | 10,3 | 145 | 166 |
| TGT/4-1000-3/-7,5 | 1000 | 7,5 | 13,9 | 152 | 173 |
| TGT/4-1000-3/-11 | 1000 | 11 | 20,7 | 205 | 226 |
| TGT/4-1000-6/-4 | 1000 | 4 | 8,2 | 121 | 142 |
| TGT/4-1000-6/-5,5 | 1000 | 5,5 | 10,3 | 150 | 171 |
| TGT/4-1000-6/-7,5 | 1000 | 7,5 | 13,9 | 157 | 178 |
| TGT/4-1000-6/-11 | 1000 | 11 | 20,7 | 210 | 231 |
| TGT/4-1000-6/-15 | 1000 | 15 | 28,4 | 232 | 253 |
| TGT/4-1000-6/-18,5 | 1000 | 18,5 | 34,9 | 264 | 285 |
| TGT/4-1000-6/-22 | 1000 | 22 | 40,9 | 285 | 306 |
| TGT/4-1000-9/-5,5 | 1000 | 5,5 | 10,3 | 155 | 176 |
| TGT/4-1000-9/-7,5 | 1000 | 7,5 | 13,9 | 162 | 183 |
| TGT/4-1000-9/-11 | 1000 | 11 | 20,7 | 215 | 236 |
| TGT/4-1000-9/-15 | 1000 | 15 | 28,4 | 237 | 258 |
| TGT/4-1000-9/-18,5 | 1000 | 18,5 | 34,9 | 269 | 290 |
| TGT/4-1000-9/-22 | 1000 | 22 | 40,9 | 290 | 311 |
| TGT/4-1120-3/-4 | 1120 | 4 | 8,2 | 132 | 164 |
| TGT/4-1120-3/-5,5 | 1120 | 5,5 | 10,3 | 161 | 193 |
| TGT/4-1120-3/-7,5 | 1120 | 7,5 | 13,9 | 168 | 200 |
| TGT/4-1120-3/-11 | 1120 | 11 | 20,7 | 221 | 253 |
| TGT/4-1120-3/-15 | 1120 | 15 | 28,4 | 243 | 275 |
| TGT/4-1120-3/-18,5 | 1120 | 18,5 | 34,9 | 275 | 307 |

| Model | Diameter (mm) | Motor power | Full load current at 400V (A) | Weight (kg) | |
|---------------------|---------------|-------------|-------------------------------|--------------|-------------|
| | | | | Short casing | Long casing |
| TGT/4-1120-6/-11 | 1120 | 11 | 20,7 | 226 | 258 |
| TGT/4-1120-6/-15 | 1120 | 15 | 28,4 | 248 | 280 |
| TGT/4-1120-6/-18,5 | 1120 | 18,5 | 34,9 | 280 | 312 |
| TGT/4-1120-6/-22 | 1120 | 22 | 40,9 | 301 | 333 |
| TGT/4-1120-6/-30 | 1120 | 30 | 54,6 | 349 | 381 |
| TGT/4-1120-9/-11 | 1120 | 11 | 20,7 | 232 | 263 |
| TGT/4-1120-9/-15 | 1120 | 15 | 28,4 | 254 | 285 |
| TGT/4-1120-9/-18,5 | 1120 | 18,5 | 34,9 | 286 | 317 |
| TGT/4-1120-9/-22 | 1120 | 22 | 40,9 | 307 | 338 |
| TGT/4-1120-9/-30 | 1120 | 30 | 54,6 | 355 | 386 |
| TGT/4-1120-9/-37 | 1120 | 37 | 65,6 | 501 | 532 |
| TGT/4-1120-9/-45 | 1120 | 45 | 79,4 | 529 | 560 |
| TGT/4-1250-3/-7,5 | 1250 | 7,5 | 13,9 | 184 | 226 |
| TGT/4-1250-3/-11 | 1250 | 11 | 20,7 | 237 | 279 |
| TGT/4-1250-3/-15 | 1250 | 15 | 28,4 | 259 | 301 |
| TGT/4-1250-3/-18,5 | 1250 | 18,5 | 34,9 | 291 | 333 |
| TGT/4-1250-3/-22 | 1250 | 22 | 40,9 | 312 | 354 |
| TGT/4-1250-3/-30 | 1250 | 30 | 54,6 | 360 | 402 |
| TGT/4-1250-6/-15 | 1250 | 15 | 28,4 | 265 | 307 |
| TGT/4-1250-6/-18,5 | 1250 | 18,5 | 34,9 | 297 | 339 |
| TGT/4-1250-6/-22 | 1250 | 22 | 40,9 | 318 | 360 |
| TGT/4-1250-6/-30 | 1250 | 30 | 54,6 | 366 | 408 |
| TGT/4-1250-6/-37 | 1250 | 37 | 65,6 | 512 | 554 |
| TGT/4-1250-6/-45 | 1250 | 45 | 79,4 | 540 | 582 |
| TGT/4-1250-9/-15 | 1250 | 15 | 28,4 | 271 | 313 |
| TGT/4-1250-9/-18,5 | 1250 | 18,5 | 34,9 | 303 | 345 |
| TGT/4-1250-9/-22 | 1250 | 22 | 40,9 | 324 | 366 |
| TGT/4-1250-9/-30 | 1250 | 30 | 54,6 | 372 | 414 |
| TGT/4-1250-9/-37 | 1250 | 37 | 65,6 | 518 | 560 |
| TGT/4-1250-9/-45 | 1250 | 45 | 79,4 | 546 | 588 |
| TGT/4-1250-12/-18,5 | 1250 | 18,5 | 34,9 | 309 | 351 |
| TGT/4-1250-12/-22 | 1250 | 22 | 40,9 | 330 | 372 |
| TGT/4-1250-12/-30 | 1250 | 30 | 54,6 | 378 | 420 |
| TGT/4-1250-12/-37 | 1250 | 37 | 65,6 | 524 | 566 |
| TGT/4-1250-12/-45 | 1250 | 45 | 79,4 | 552 | 594 |
| TGT/4-1250-12/-55 | 1250 | 55 | 96,9 | 639 | 681 |

TECHNICAL CHARACTERISTICS - 4 poles (CONTINUATION)

| Model | Diameter (mm) | Motor power | Full load current at 400V (A) | Weight (kg) | |
|--------------------|---------------|-------------|-------------------------------|--------------|-------------|
| | | | | Short casing | Long casing |
| TGT/4-1409-3/-18,5 | 1409 | 18,5 | 34,9 | 449 | 603 |
| TGT/4-1409-3/-22 | 1409 | 22 | 40,9 | 470 | 624 |
| TGT/4-1409-3/-30 | 1409 | 30 | 54,6 | 518 | 672 |
| TGT/4-1409-3/-37 | 1409 | 37 | 65,6 | 664 | 818 |
| TGT/4-1409-3/-45 | 1409 | 45 | 79,4 | 692 | 846 |
| TGT/4-1409-3/-55 | 1409 | 55 | 96,9 | 788 | 942 |
| TGT/4-1409-3/-75 | 1409 | 75 | 130 | 1012 | 1166 |

| | | | | | |
|-------------------|------|-----|------|------|------|
| TGT/4-1409-6/-30 | 1409 | 30 | 54,6 | 531 | 685 |
| TGT/4-1409-6/-37 | 1409 | 37 | 65,6 | 677 | 831 |
| TGT/4-1409-6/-45 | 1409 | 45 | 79,4 | 705 | 859 |
| TGT/4-1409-6/-55 | 1409 | 55 | 96,9 | 801 | 955 |
| TGT/4-1409-6/-75 | 1409 | 75 | 130 | 1025 | 1179 |
| TGT/4-1409-6/-90 | 1409 | 90 | 158 | 1073 | 1227 |
| TGT/4-1409-6/-110 | 1409 | 110 | 192 | 1311 | 1465 |

| | | | | | |
|-------------------|------|-----|------|------|------|
| TGT/4-1409-9/-55 | 1409 | 55 | 96,9 | 814 | 968 |
| TGT/4-1409-9/-75 | 1409 | 75 | 130 | 1038 | 1192 |
| TGT/4-1409-9/-90 | 1409 | 90 | 158 | 1086 | 1240 |
| TGT/4-1409-9/-110 | 1409 | 110 | 192 | 1324 | 1478 |
| TGT/4-1409-9/-132 | 1409 | 132 | 230 | 1267 | 1421 |
| TGT/4-1409-9/-160 | 1409 | 160 | 275 | 1466 | 1620 |

| | | | | | |
|--------------------|------|-----|-----|------|------|
| TGT/4-1409-12/-75 | 1409 | 75 | 130 | 1051 | 1205 |
| TGT/4-1409-12/-90 | 1409 | 90 | 158 | 1099 | 1253 |
| TGT/4-1409-12/-110 | 1409 | 110 | 192 | 1337 | 1491 |
| TGT/4-1409-12/-132 | 1409 | 132 | 230 | 1280 | 1434 |
| TGT/4-1409-12/-160 | 1409 | 160 | 275 | 1479 | 1633 |

| Model | Diameter (mm) | Motor power | Full load current at 400V (A) | Weight (kg) | |
|-------------------|---------------|-------------|-------------------------------|--------------|-------------|
| | | | | Short casing | Long casing |
| TGT/4-1609-3/-37 | 1609 | 37 | 65,6 | 717 | 917 |
| TGT/4-1609-3/-45 | 1609 | 45 | 79,4 | 745 | 945 |
| TGT/4-1609-3/-55 | 1609 | 55 | 96,9 | 850 | 1050 |
| TGT/4-1609-3/-75 | 1609 | 75 | 130 | 1074 | 1274 |
| TGT/4-1609-3/-90 | 1609 | 90 | 158 | 1122 | 1322 |
| TGT/4-1609-3/-110 | 1609 | 110 | 192 | 1360 | 1560 |
| TGT/4-1609-3/-132 | 1609 | 132 | 230 | 1303 | 1503 |

| | | | | | |
|-------------------|------|-----|------|------|------|
| TGT/4-1609-6/-55 | 1609 | 55 | 96,9 | 864 | 1064 |
| TGT/4-1609-6/-75 | 1609 | 75 | 130 | 1088 | 1288 |
| TGT/4-1609-6/-90 | 1609 | 90 | 158 | 1136 | 1336 |
| TGT/4-1609-6/-110 | 1609 | 110 | 192 | 1374 | 1574 |
| TGT/4-1609-6/-132 | 1609 | 132 | 230 | 1317 | 1517 |
| TGT/4-1609-6/-160 | 1609 | 160 | 275 | 1516 | 1716 |
| TGT/4-1609-6/-185 | 1609 | 185 | 318 | 1586 | 1786 |
| TGT/4-1609-6/-200 | 1609 | 200 | 343 | 1696 | 1896 |

| | | | | | |
|-------------------|------|-----|-----|------|------|
| TGT/4-1609-9/-75 | 1609 | 75 | 130 | 1102 | 1302 |
| TGT/4-1609-9/-90 | 1609 | 90 | 158 | 1150 | 1350 |
| TGT/4-1609-9/-110 | 1609 | 110 | 192 | 1388 | 1588 |
| TGT/4-1609-9/-132 | 1609 | 132 | 230 | 1331 | 1531 |
| TGT/4-1609-9/-160 | 1609 | 160 | 275 | 1530 | 1730 |
| TGT/4-1609-9/-185 | 1609 | 185 | 318 | 1600 | 1800 |
| TGT/4-1609-9/-200 | 1609 | 200 | 343 | 1710 | 1910 |

| | | | | | |
|--------------------|------|-----|-----|------|------|
| TGT/4-1609-12/-90 | 1609 | 90 | 158 | 1165 | 1365 |
| TGT/4-1609-12/-110 | 1609 | 110 | 192 | 1403 | 1603 |
| TGT/4-1609-12/-132 | 1609 | 132 | 230 | 1346 | 1546 |
| TGT/4-1609-12/-160 | 1609 | 160 | 275 | 1545 | 1745 |
| TGT/4-1609-12/-185 | 1609 | 185 | 318 | 1615 | 1815 |
| TGT/4-1609-12/-200 | 1609 | 200 | 343 | 1725 | 1925 |

TECHNICAL CHARACTERISTICS - 6 poles

| Model | Diameter (mm) | Motor power | Full load current at 400V (A) | Weight (kg) | |
|-------------------|---------------|-------------|-------------------------------|--------------|-------------|
| | | | | Short casing | Long casing |
| TGT/6-560-6/-0,37 | 560 | 0,37 | 1,04 | 50 | 67 |
| TGT/6-560-6/-0,55 | 560 | 0,55 | 1,61 | 57 | 74 |

| | | | | | |
|-------------------|-----|------|------|----|----|
| TGT/6-630-6/-0,37 | 630 | 0,37 | 1,04 | 57 | 72 |
| TGT/6-630-6/-0,55 | 630 | 0,55 | 1,61 | 64 | 79 |
| TGT/6-630-6/-0,75 | 630 | 0,75 | 1,93 | 70 | 85 |
| TGT/6-630-6/-1,1 | 630 | 1,1 | 2,69 | 72 | 87 |

| Model | Diameter (mm) | Motor power | Full load current at 400V (A) | Weight (kg) | |
|--------------------|---------------|-------------|-------------------------------|--------------|-------------|
| | | | | Short casing | Long casing |
| TGT/6-710-3/- 0,55 | 710 | 0,55 | 1,5 | 59 | 83 |
| TGT/6-710-3/- 0,75 | 710 | 0,75 | 2,0 | 65 | 89 |

| | | | | | |
|--------------------|-----|------|-----|----|----|
| TGT/6-710-6/- 0,55 | 710 | 0,55 | 1,5 | 63 | 86 |
| TGT/6-710-6/- 0,75 | 710 | 0,75 | 2,0 | 69 | 92 |
| TGT/6-710-6/- 1,1 | 710 | 1,1 | 2,8 | 71 | 94 |

TECHNICAL CHARACTERISTICS - 6 poles (CONTINUATION)

| Model | Diameter (mm) | Motor power | Full load current at 400V (A) | Weight (kg) | |
|-------------------|---------------|-------------|-------------------------------|--------------|-------------|
| | | | | Short casing | Long casing |
| TGT/6-800-3/-0,55 | 800 | 0,55 | 1,61 | 76 | 93 |
| TGT/6-800-3/-0,75 | 800 | 0,75 | 1,93 | 82 | 99 |
| TGT/6-800-3/-1,1 | 800 | 1,1 | 2,69 | 84 | 101 |
| TGT/6-800-6/-0,55 | 800 | 0,55 | 1,61 | 79 | 96 |
| TGT/6-800-6/-0,75 | 800 | 0,75 | 1,93 | 85 | 102 |
| TGT/6-800-6/-1,1 | 800 | 1,1 | 2,69 | 87 | 104 |
| TGT/6-800-6/-1,5 | 800 | 1,5 | 3,7 | 91 | 108 |
| TGT/6-800-6/-2,2 | 800 | 2,2 | 5,22 | 99 | 116 |
| TGT/6-800-9/-1,1 | 800 | 1,1 | 2,69 | 91 | 108 |
| TGT/6-800-9/-1,5 | 800 | 1,5 | 3,7 | 95 | 112 |
| TGT/6-800-9/-2,2 | 800 | 2,2 | 5,22 | 103 | 120 |
| TGT/6-800-9/-3 | 800 | 3 | 6,91 | 126 | 143 |
| TGT/6-900-3/-1,5 | 900 | 1,5 | 3,7 | 103 | 121 |
| TGT/6-900-3/-2,2 | 900 | 2,2 | 5,22 | 111 | 129 |
| TGT/6-900-6/-1,5 | 900 | 1,5 | 3,7 | 107 | 126 |
| TGT/6-900-6/-2,2 | 900 | 2,2 | 5,22 | 115 | 134 |
| TGT/6-900-6/-3 | 900 | 3 | 6,91 | 138 | 157 |
| TGT/6-900-9/-1,5 | 900 | 1,5 | 3,7 | 111 | 130 |
| TGT/6-900-9/-2,2 | 900 | 2,2 | 5,22 | 119 | 138 |
| TGT/6-900-9/-3 | 900 | 3 | 6,91 | 142 | 161 |
| TGT/6-1000-3/-1,5 | 1000 | 1,5 | 3,7 | 110 | 131 |
| TGT/6-1000-3/-2,2 | 1000 | 2,2 | 5,22 | 118 | 139 |
| TGT/6-1000-3/-3 | 1000 | 3 | 6,91 | 141 | 162 |
| TGT/6-1000-3/-4 | 1000 | 4 | 8,1 | 142 | 163 |
| TGT/6-1000-6/-1,5 | 1000 | 1,5 | 3,7 | 115 | 136 |
| TGT/6-1000-6/-2,2 | 1000 | 2,2 | 5,22 | 123 | 144 |
| TGT/6-1000-6/-3 | 1000 | 3 | 6,91 | 146 | 167 |
| TGT/6-1000-6/-4 | 1000 | 4 | 8,1 | 147 | 168 |
| TGT/6-1000-6/-5,5 | 1000 | 5,5 | 12,5 | 167 | 188 |
| TGT/6-1000-6/-7,5 | 1000 | 7,5 | 14,7 | 209 | 230 |
| TGT/6-1000-9/-2,2 | 1000 | 2,2 | 5,22 | 128 | 149 |
| TGT/6-1000-9/-3 | 1000 | 3 | 6,91 | 151 | 172 |
| TGT/6-1000-9/-4 | 1000 | 4 | 8,1 | 152 | 173 |
| TGT/6-1000-9/-5,5 | 1000 | 5,5 | 12,5 | 172 | 193 |
| TGT/6-1000-9/-7,5 | 1000 | 7,5 | 14,7 | 214 | 235 |

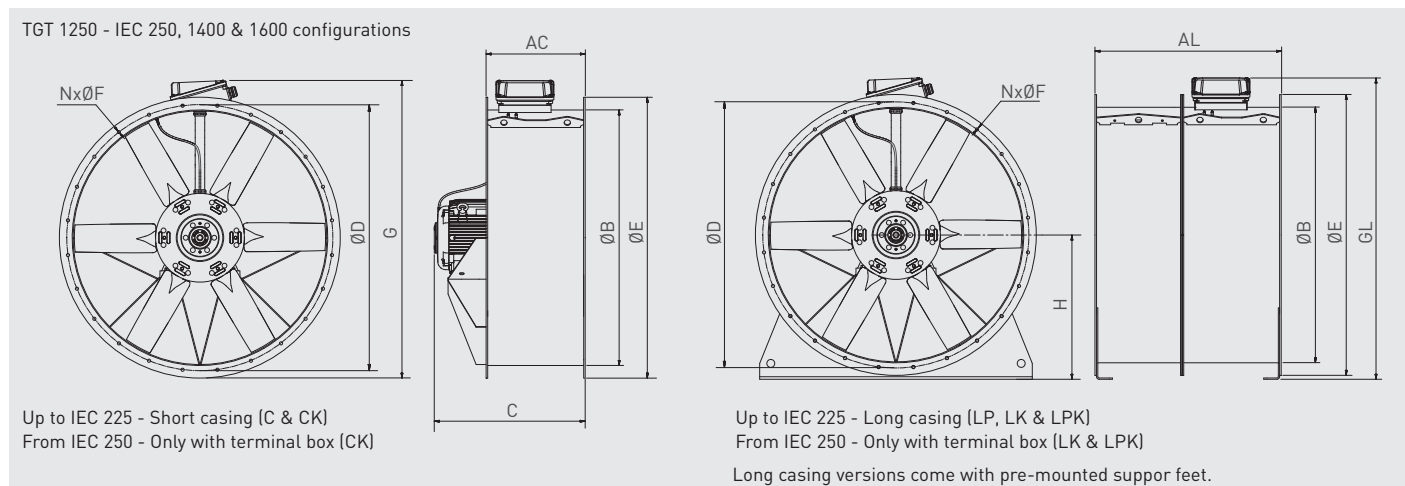
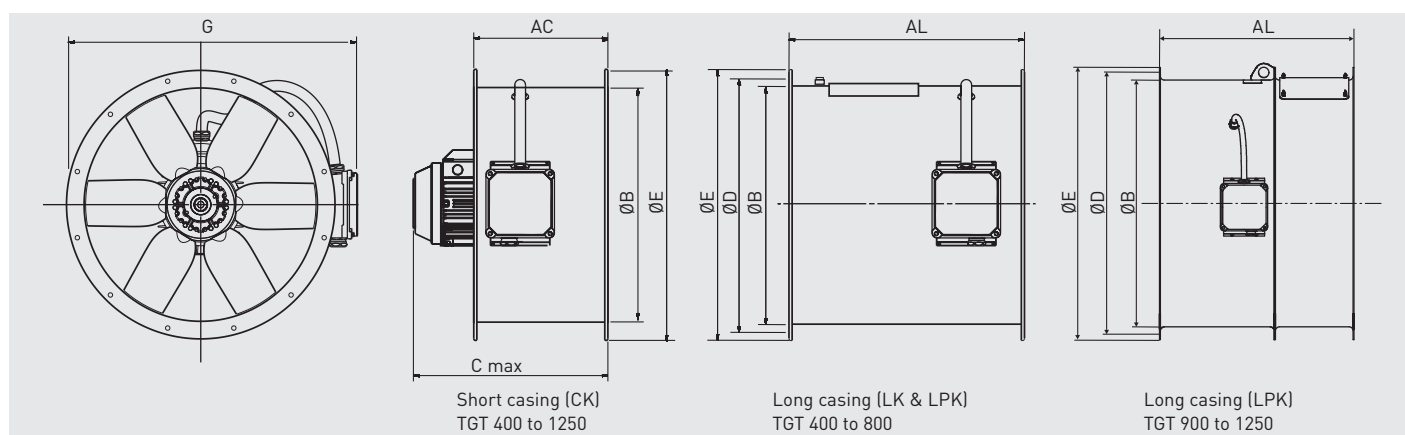
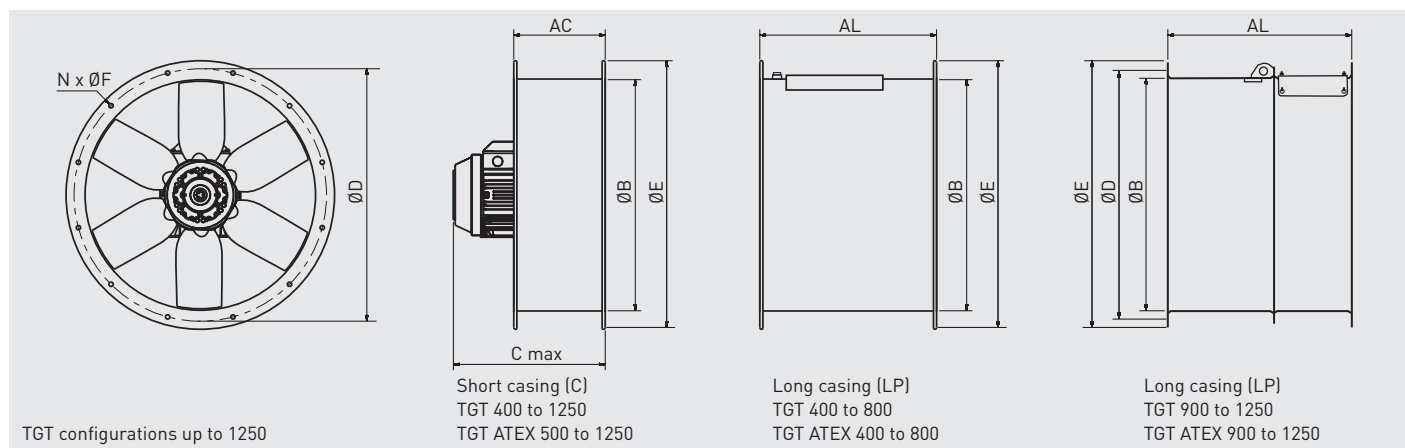
| Model | Diameter (mm) | Motor power | Full load current at 400V (A) | Weight (kg) | |
|--------------------|---------------|-------------|-------------------------------|--------------|-------------|
| | | | | Short casing | Long casing |
| TGT/6-1120-3/-1,5 | 1120 | 1,5 | 3,7 | 126 | 158 |
| TGT/6-1120-3/-2,2 | 1120 | 2,2 | 5,22 | 134 | 166 |
| TGT/6-1120-3/-3 | 1120 | 3 | 6,91 | 157 | 189 |
| TGT/6-1120-3/-4 | 1120 | 4 | 8,1 | 158 | 190 |
| TGT/6-1120-3/-5,5 | 1120 | 5,5 | 12,5 | 178 | 210 |
| TGT/6-1120-6/-3 | 1120 | 3 | 6,91 | 162 | 194 |
| TGT/6-1120-6/-4 | 1120 | 4 | 8,1 | 163 | 195 |
| TGT/6-1120-6/-5,5 | 1120 | 5,5 | 12,5 | 183 | 215 |
| TGT/6-1120-6/-7,5 | 1120 | 7,5 | 14,7 | 225 | 257 |
| TGT/6-1120-6/-11 | 1120 | 11 | 21,5 | 246 | 278 |
| TGT/6-1120-9/-3 | 1120 | 3 | 6,91 | 168 | 199 |
| TGT/6-1120-9/-4 | 1120 | 4 | 8,1 | 169 | 200 |
| TGT/6-1120-9/-5,5 | 1120 | 5,5 | 12,5 | 189 | 220 |
| TGT/6-1120-9/-7,5 | 1120 | 7,5 | 14,7 | 231 | 262 |
| TGT/6-1120-9/-11 | 1120 | 11 | 21,5 | 252 | 283 |
| TGT/6-1120-9/-15 | 1120 | 15 | 30,4 | 284 | 315 |
| TGT/6-1250-3/-2,2 | 1250 | 2,2 | 5,22 | 150 | 192 |
| TGT/6-1250-3/-3 | 1250 | 3 | 6,91 | 173 | 215 |
| TGT/6-1250-3/-4 | 1250 | 4 | 8,1 | 174 | 216 |
| TGT/6-1250-3/-5,5 | 1250 | 5,5 | 12,5 | 194 | 236 |
| TGT/6-1250-3/-7,5 | 1250 | 7,5 | 14,7 | 236 | 278 |
| TGT/6-1250-3/-11 | 1250 | 11 | 21,5 | 257 | 299 |
| TGT/6-1250-6/-4 | 1250 | 4 | 8,1 | 180 | 222 |
| TGT/6-1250-6/-5,5 | 1250 | 5,5 | 12,5 | 200 | 242 |
| TGT/6-1250-6/-7,5 | 1250 | 7,5 | 14,7 | 242 | 284 |
| TGT/6-1250-6/-11 | 1250 | 11 | 21,5 | 263 | 305 |
| TGT/6-1250-6/-15 | 1250 | 15 | 30,4 | 295 | 337 |
| TGT/6-1250-9/-5,5 | 1250 | 5,5 | 12,5 | 206 | 248 |
| TGT/6-1250-9/-7,5 | 1250 | 7,5 | 14,7 | 248 | 290 |
| TGT/6-1250-9/-11 | 1250 | 11 | 21,5 | 269 | 311 |
| TGT/6-1250-9/-15 | 1250 | 15 | 30,4 | 301 | 343 |
| TGT/6-1250-9/-18,5 | 1250 | 18,5 | 37,3 | 344 | 386 |
| TGT/6-1250-9/-22 | 1250 | 22 | 43 | 371 | 413 |
| TGT/6-1409-3/-7,5 | 1409 | 7,5 | 14,7 | 394 | 548 |
| TGT/6-1409-3/-11 | 1409 | 11 | 21,5 | 415 | 569 |
| TGT/6-1409-3/-15 | 1409 | 15 | 30,4 | 447 | 601 |
| TGT/6-1409-3/-18,5 | 1409 | 18,5 | 37,3 | 490 | 644 |

TECHNICAL CHARACTERISTICS - 6 poles (CONTINUATION)

| Model | Diameter (mm) | Motor power | Full load current at 400V (A) | Weight (kg) | |
|---------------------|---------------|-------------|-------------------------------|--------------|-------------|
| | | | | Short casing | Long casing |
| TGT/6-1409-6/-11 | 1409 | 11 | 21,5 | 428 | 582 |
| TGT/6-1409-6/-15 | 1409 | 15 | 30,4 | 460 | 614 |
| TGT/6-1409-6/-18,5 | 1409 | 18,5 | 37,3 | 503 | 657 |
| TGT/6-1409-6/-22 | 1409 | 22 | 43 | 530 | 684 |
| TGT/6-1409-6/-30 | 1409 | 30 | 54,2 | 686 | 840 |
| TGT/6-1409-6/-37 | 1409 | 37 | 66,6 | 780 | 934 |
| TGT/6-1409-9/-15 | 1409 | 15 | 30,4 | 473 | 627 |
| TGT/6-1409-9/-18,5 | 1409 | 18,5 | 37,3 | 516 | 670 |
| TGT/6-1409-9/-22 | 1409 | 22 | 43 | 543 | 697 |
| TGT/6-1409-9/-30 | 1409 | 30 | 54,2 | 699 | 853 |
| TGT/6-1409-9/-37 | 1409 | 37 | 66,6 | 793 | 947 |
| TGT/6-1409-9/-45 | 1409 | 45 | 83,4 | 987 | 1141 |
| TGT/6-1409-12/-18,5 | 1409 | 18,5 | 37,3 | 529 | 683 |
| TGT/6-1409-12/-22 | 1409 | 22 | 43 | 556 | 710 |
| TGT/6-1409-12/-30 | 1409 | 30 | 54,2 | 712 | 866 |
| TGT/6-1409-12/-37 | 1409 | 37 | 66,6 | 806 | 960 |
| TGT/6-1409-12/-45 | 1409 | 45 | 83,4 | 1000 | 1154 |
| TGT/6-1409-12/-55 | 1409 | 55 | 102 | 1045 | 1199 |
| TGT/6-1609-3/-11 | 1609 | 11 | 21,5 | 468 | 668 |
| TGT/6-1609-3/-15 | 1609 | 15 | 30,4 | 500 | 700 |
| TGT/6-1609-3/-18,5 | 1609 | 18,5 | 37,3 | 543 | 743 |
| TGT/6-1609-3/-22 | 1609 | 22 | 43 | 570 | 770 |
| TGT/6-1609-3/-30 | 1609 | 30 | 54,2 | 726 | 926 |
| TGT/6-1609-3/-37 | 1609 | 37 | 66,6 | 829 | 1029 |

| Model | Diameter (mm) | Motor power | Full load current at 400V (A) | Weight (kg) | |
|--------------------|---------------|-------------|-------------------------------|--------------|-------------|
| | | | | Short casing | Long casing |
| TGT/6-1609-6/-18,5 | 1609 | 18,5 | 37,3 | 557 | 757 |
| TGT/6-1609-6/-22 | 1609 | 22 | 43 | 584 | 784 |
| TGT/6-1609-6/-30 | 1609 | 30 | 54,2 | 740 | 940 |
| TGT/6-1609-6/-37 | 1609 | 37 | 66,6 | 843 | 1043 |
| TGT/6-1609-6/-45 | 1609 | 45 | 83,4 | 1037 | 1237 |
| TGT/6-1609-6/-55 | 1609 | 55 | 102 | 1082 | 1282 |
| TGT/6-1609-6/-75 | 1609 | 75 | 136 | 1326 | 1526 |
| TGT/6-1609-9/-22 | 1609 | 22 | 43 | 598 | 798 |
| TGT/6-1609-9/-30 | 1609 | 30 | 54,2 | 754 | 954 |
| TGT/6-1609-9/-37 | 1609 | 37 | 66,6 | 857 | 1057 |
| TGT/6-1609-9/-45 | 1609 | 45 | 83,4 | 1051 | 1251 |
| TGT/6-1609-9/-55 | 1609 | 55 | 102 | 1096 | 1296 |
| TGT/6-1609-9/-75 | 1609 | 75 | 136 | 1340 | 1540 |
| TGT/6-1609-9/-90 | 1609 | 90 | 163 | 1426 | 1626 |
| TGT/6-1609-12/-30 | 1609 | 30 | 54,2 | 769 | 969 |
| TGT/6-1609-12/-37 | 1609 | 37 | 66,6 | 872 | 1072 |
| TGT/6-1609-12/-45 | 1609 | 45 | 83,4 | 1066 | 1266 |
| TGT/6-1609-12/-55 | 1609 | 55 | 102 | 1111 | 1311 |
| TGT/6-1609-12/-75 | 1609 | 75 | 136 | 1355 | 1555 |
| TGT/6-1609-12/-90 | 1609 | 90 | 163 | 1441 | 1641 |
| TGT/6-1609-12/-110 | 1609 | 110 | 199 | 1499 | 1699 |

DIMENSIONS (mm)

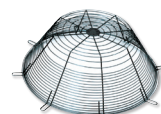
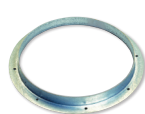


| Model | AC | AL | B | C | D | E | F | G | GL | H | N |
|----------------|-----|------|------|------|------|------|----|------|------|-----|----|
| 400 | 250 | 380 | 400 | 402 | 450 | 487 | 12 | 558 | - | - | 8 |
| 450 | 250 | 480 | 450 | 457 | 500 | 537 | 12 | 613 | - | - | 8 |
| 500 | 250 | 480 | 500 | 467 | 560 | 595 | 12 | 662 | - | - | 12 |
| 560 | 280 | 600 | 560 | 564 | 620 | 655 | 12 | 726 | - | - | 12 |
| 630 | 280 | 700 | 630 | 564 | 690 | 725 | 12 | 795 | - | - | 12 |
| 710 | 380 | 600 | 710 | 564 | 770 | 806 | 12 | 849 | - | - | 16 |
| 800 | 380 | 600 | 800 | 564 | 860 | 896 | 12 | 940 | - | - | 16 |
| 900 | 450 | 750 | 900 | 737 | 970 | 1005 | 15 | 1045 | - | - | 16 |
| 1000 | 450 | 780 | 1000 | 767 | 1070 | 1105 | 15 | 1145 | - | - | 16 |
| 1120 | 500 | 1150 | 1120 | 950 | 1190 | 1225 | 15 | 1268 | - | - | 20 |
| 1250 | 500 | 1150 | 1250 | 950 | 1320 | 1355 | 15 | 1421 | - | - | 20 |
| 1250 - IEC 250 | 625 | 1175 | 1250 | 830 | 1320 | 1358 | 15 | 1505 | - | - | 20 |
| 1409 | 625 | 1175 | 1400 | 1130 | 1470 | 1512 | 15 | 1659 | 1663 | 781 | 20 |
| 1609 | 625 | 1275 | 1600 | 1250 | 1680 | 1772 | 20 | 1900 | 1910 | 910 | 24 |

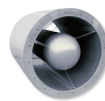
* Dimensions corresponding to the largest motor available for the range. For more detailed information depending on the working point, please refer to Easyvent.

MOUNTING ACCESSORIES

| Model | Circular duct matching flange | Bellmouth protection guard | Circular flexible connector | Inlet grille guard | Outlet grille guard |
|-------|-------------------------------|----------------------------|-----------------------------|---------------------------------------|------------------------------------|
| 400 | ARO BRIDA TGT/THGT-400 N | EMB- 400T or S | ACOPEL F400-400/160 N | DEF.ASP.TGT/THGT-400 (impeller side) | DEF.DES.TGT/THGT-400 (motor side) |
| 450 | ARO BRIDA TGT/THGT-450 N | EMB- 450T or S | ACOPEL F400-450/160 N | DEF.ASP.TGT/THGT-450 (impeller side) | DEF.DES.TGT/THGT-450 (motor side) |
| 500 | ARO BRIDA TGT/THGT-500 N | EMB- 500T or S | ACOPEL F400-500/160 N | DEF.ASP.TGT/THGT-500 (impeller side) | DEF.DES.TGT/THGT-500 (motor side) |
| 560 | ARO BRIDA TGT/THGT-560 N | EMB- 560T or S | ACOPEL F400-560/160 N | DEF.ASP.TGT/THGT-560 (impeller side) | DEF.DES.TGT/THGT-560 (motor side) |
| 630 | ARO BRIDA TGT/THGT-630 N | EMB- 630T or S | ACOPEL F400-630/160 N | DEF.ASP.TGT/THGT-630 (impeller side) | DEF.DES.TGT/THGT-630 (motor side) |
| 710 | ARO BRIDA TGT/THGT-710 N | EMB- 710T | ACOPEL F400-710/180 N | DEF.ASP.TGT/THGT-710 (impeller side) | DEF.DES.TGT/THGT-710 (motor side) |
| 800 | ARO BRIDA TGT/THGT-800 N | EMB- 800T | ACOPEL F400-800/180 N | DEF.ASP.TGT/THGT-800 (impeller side) | DEF.DES.TGT/THGT-800 (motor side) |
| 900 | ARO BRIDA TGT/THGT-900 N | EMB- 900T or S | ACOPEL F400-900/180 N | DEF.ASP.TGT/THGT-900 (impeller side) | DEF.DES.TGT/THGT-900 (motor side) |
| 1000 | ARO BRIDA TGT/THGT-1000 N | EMB- 1000T or S | ACOPEL F400-1000/180 N | DEF.ASP.TGT/THGT-1000 (impeller side) | DEF.DES.TGT/THGT-1000 (motor side) |
| 1120 | ARO BRIDA TGT/THGT-1120 N | EMB- 1120T or S | ACOPEL F400-1120/200 N | DEF.ASP.TGT/THGT-1120 (impeller side) | DEF.DES.TGT/THGT-1120 (lado motor) |
| 1250 | ARO BRIDA TGT/THGT-1250 N | EMB- 1250T or S | ACOPEL F400-1250/200 N | DEF.ASP.TGT/THGT-1250 (impeller side) | DEF.DES.TGT/THGT-1250 (motor side) |
| 1400 | ARO BRIDA TGT/THGT-1400 N | EMB- 1400T or S | ACOPEL F400-1400/200 N | DEF.ASP.TGT/THGT-1400 (impeller side) | DEF.DES.TGT/THGT-1400 (motor side) |
| 1600 | ARO BRIDA TGT/THGT-1600 N | EMB- 1600T or S | ACOPEL F400-1600/200 N | DEF.ASP.TGT/THGT-1600 (impeller side) | DEF.DES.TGT/THGT-1600 (motor side) |

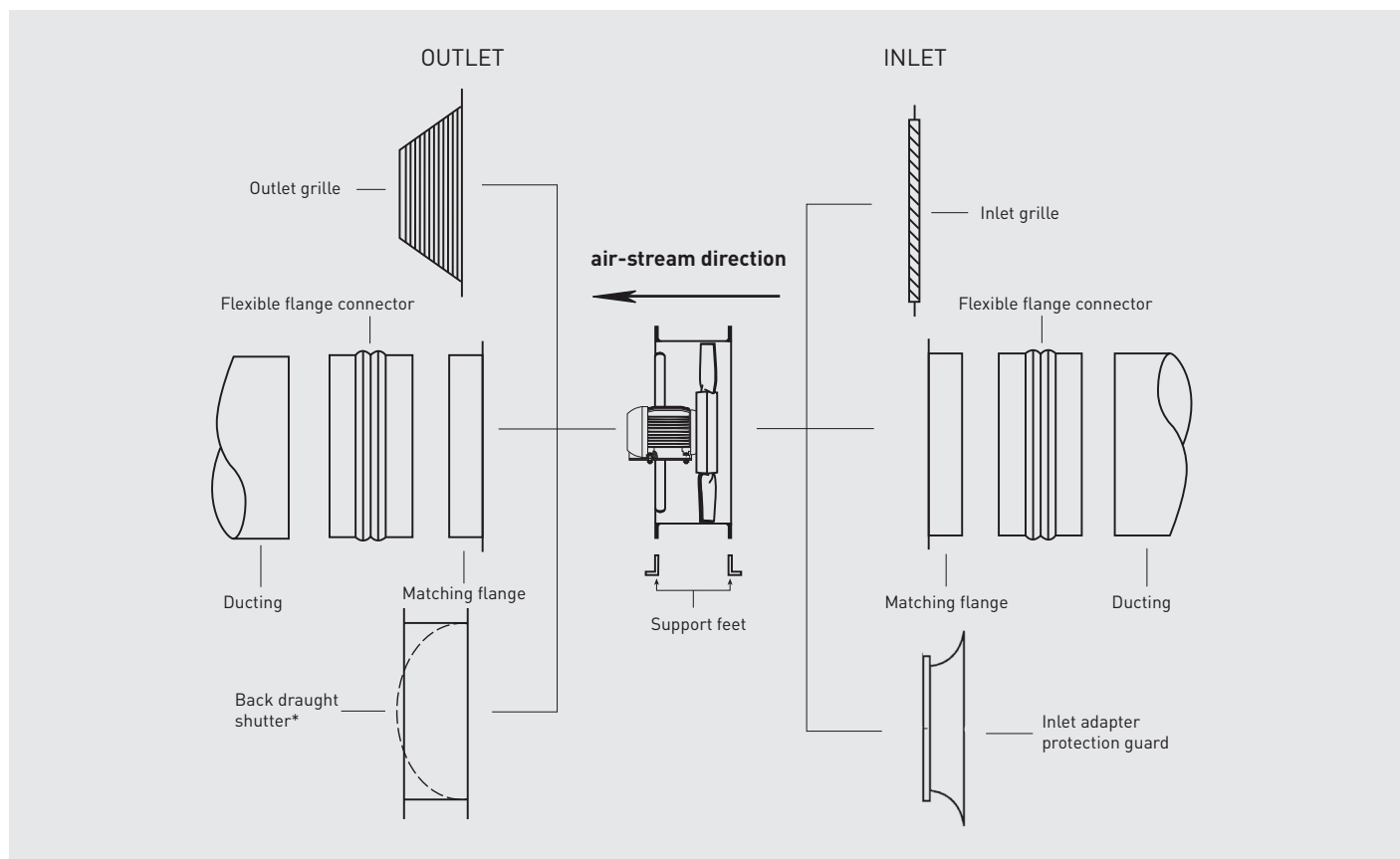


| Model | Support feet (Horizontal) | Support feet (Vertical) | Back draft shutter | Circular sound attenuator | Attenuator with acoustic pod | Flexible connector ATEX | Antivibration mounts (AM) |
|-------|---------------------------|--------------------------|--------------------|---------------------------|------------------------------|-------------------------|--|
| 400 | PIE SOP.TGT/THGT-400 | PIE SOP.TGT/THGT-400 V | CLAR-400 | SIL CZ 400 | SIL CZO 400 | ACOPEL EX 400/ 160 N | Divide the total weight of the fan by 4, as you need 4 antivibration mounts per unit, and then look for the appropriate model according to their load. [See: Mounting accessories] |
| 450 | PIE SOP.TGT/THGT-450 | PIE SOP.TGT/THGT-450 V | CLAR-450 | SIL CZ 450 | SIL CZO 450 | ACOPEL EX 450/ 160 N | |
| 500 | PIE SOP.TGT/THGT-500 | PIE SOP.TGT/THGT-500 V | CLAR-500 | SIL CZ 500 | SIL CZO 500 | ACOPEL EX 500/ 160 N | |
| 560 | PIE SOP.TGT/THGT-560 | PIE SOP.TGT/THGT-560 V | CLAR 560 | SIL CZ 560 | SIL CZO 560 | ACOPEL EX 560/ 160 N | |
| 630 | PIE SOP.TGT/THGT-630 | PIE SOP.TGT/THGT-630 V | CLAR 630 | SIL CZ 630 | SIL CZO 630 | ACOPEL EX 630/ 160 N | |
| 710 | PIE SOP.TGT/THGT-710 | PIE SOP.TGT/THGT-710 V | CLAR 710 | SIL CZ 710 | SIL CZO 710 | ACOPEL EX 710/ 180 N | |
| 800 | PIE SOP.TGT/THGT-800 | PIE SOP.TGT/THGT-800 V | CLAR 800 | SIL CZ 800 | SIL CZO 800 | ACOPEL EX 800/ 180 N | |
| 900 | PIE SOP.TGT/THGT-900 | PIE SOP.TGT/THGT -900 V | CLAR 900 | SIL CZ 900 | SIL CZO 900 | ACOPEL EX 900/ 180 N | |
| 1000 | PIE SOP.TGT/THGT-1000 | PIE SOP.TGT/THGT-1000 V | CLAR 1000 | SIL CZ 1000 | SIL CZO 1000 | ACOPEL EX 1000/ 180 N | |
| 1120 | PIE SOP. TGT/THGT-1120 | PIE SOP. TGT/THGT-1120 V | CLAR 1120 | SIL CZ 1120 | SIL CZO 1120 | ACOPEL EX 1120/ 200 N | |
| 1250 | PIE SOP.TGT/THGT-1250 | PIE SOP.TGT/THGT-1250 V | CLAR 1250 | SIL CZ 1250 | SIL CZO 1250 | ACOPEL EX 1250/ 200 N | |
| 1400 | PIE SOP.TGT/THGT-1400 | PIE SOP.TGT/THGT-1400 V | CLAR 1400 | SIL CZ 1400 | SIL CZO 1400 | ACOPEL EX 1400/ 200 N | |
| 1600 | PIE SOP.TGT/THGT-1600 | PIE SOP.TGT/THGT-1600 V | CLAR 1600 | SIL CZ 1600 | SIL CZO 1600 | ACOPEL EX 1600/ 200 N | |



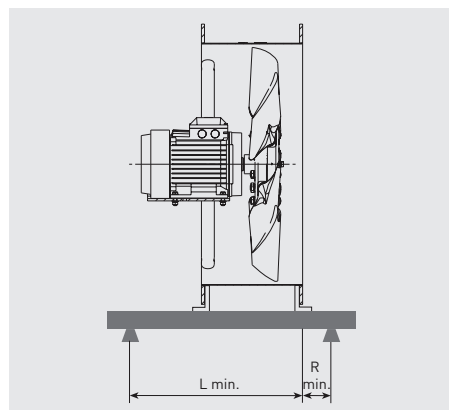
See complete information on the Mounting Accessories.

INSTALLATION OF THE MOUNTING ACCESSORIES



See complete information on the Mounting Accesories.
* For long casing version.

FITTING ANTI-VIBRATION MOUNTS IN THE SHORT CASING MODELS



When fitting anti-vibration mountings, short casing models, it is recommended they are fitted to a suitable support frame (not supplied by S&P) following the minimum distances as specified in the table.

| Model TGT | L min. | R min. | Total |
|-----------|--------|--------|-------|
| 400 | 370 | 60 | 430 |
| 450 | 430 | 70 | 500 |
| 500 | 440 | 70 | 510 |
| 560 | 550 | 80 | 630 |
| 630 | 550 | 80 | 630 |
| 710 | 550 | 80 | 630 |
| 800 | 550 | 90 | 640 |
| 900 | 750 | 100 | 850 |
| 1000 | 750 | 100 | 850 |
| 1120 | 900 | 100 | 1000 |
| 1250 | 900 | 100 | 1000 |
| 1400 | 1230 | 100 | 1330 |
| 1600 | 1350 | 100 | 1450 |